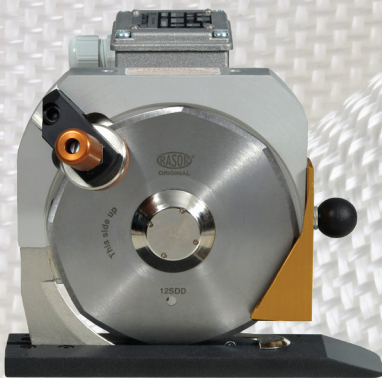


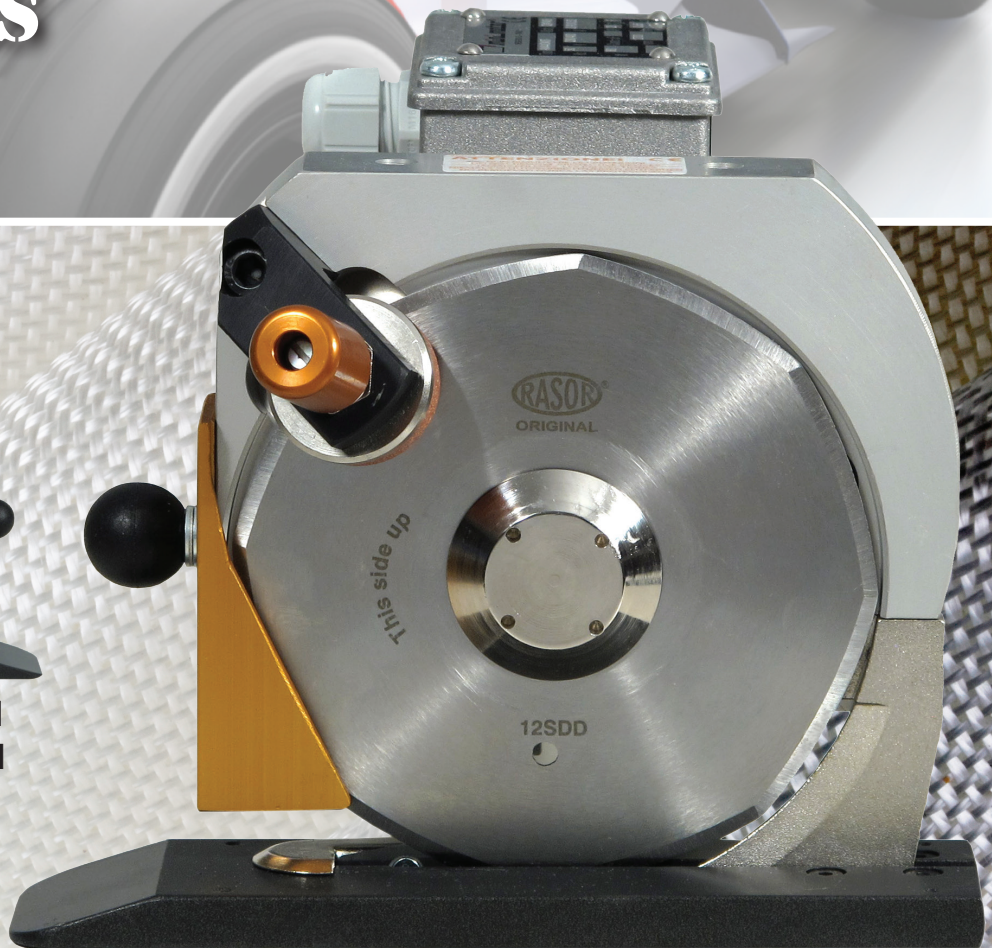


3-PHASES

AVAILABLE IN 480 V
AVAILABLE IN 60 Hz



AVAILABLE IN
LEFT VERSION
DD120ML



1946

DD120MR

ELECTRIC 3-PHASES DIRECT DRIVE CUTTING UNIT

DD120MR. Direct Drive professional cutting unit for high-speed cutting processes in Technical Textile & Composite applications.



1946

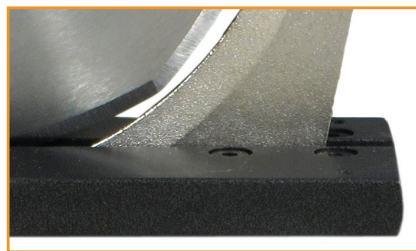
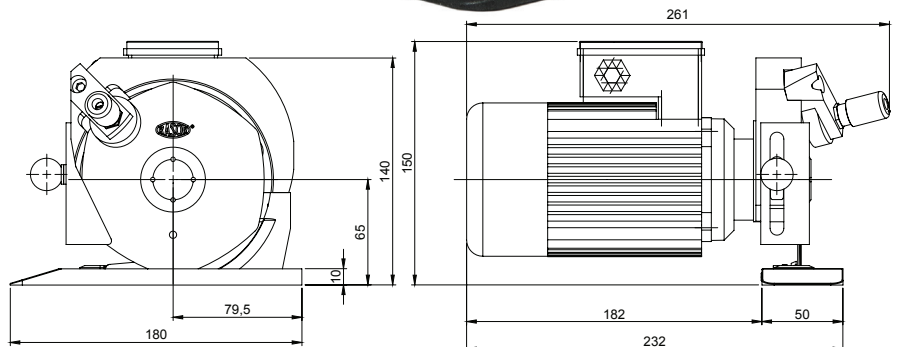
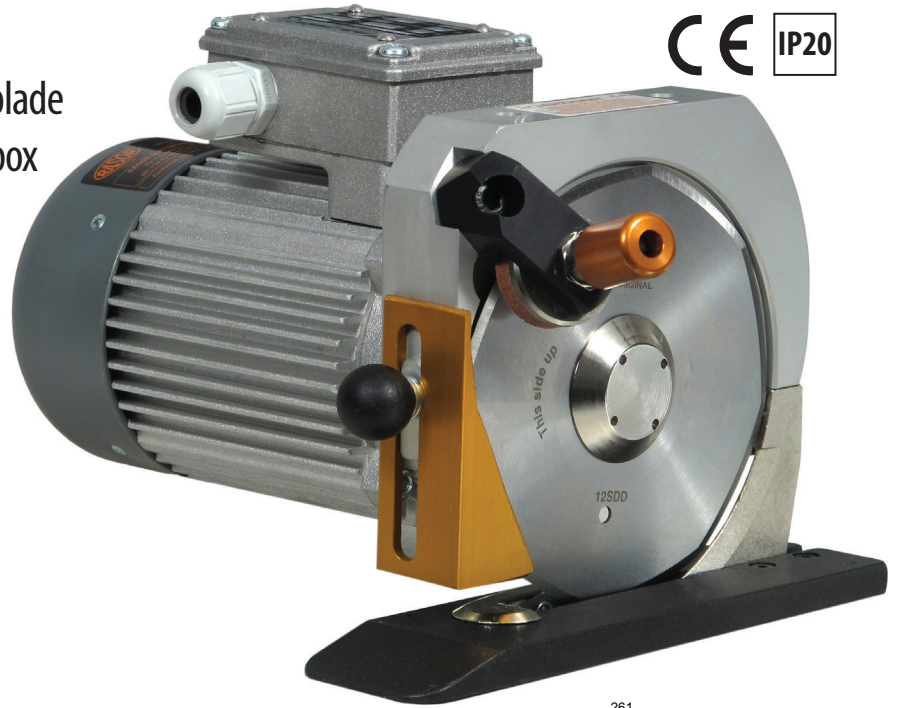
ELECTRIC 3-PHASES DIRECT DRIVE CUTTING UNIT DD120MR

WHAT'S NEW:

- Central knife guidance Monster style
- Hard-metal Titanium coated counterblade
- Direct Drive technology with no gearbox
- High cutting speed
- Low-friction Teflon coated foot
- Easy fixing structure for O.E.M. applications
- Maintenance-free industrial motor

TECHNICAL DETAILS:

- Blade diameter:** 120 mm (4.7"), with hardmetal Titanium coated counterblade
- Blade equipped:** 12SDD, 8-edges, HSS steel
- Blade speed:** 2600 r.p.m.
- Cutting ability:** up to 50 mm (2")
- Motor:** 3-phase asynchronous 380/400 V, 50 Hz
- Power:** 180 W
- Max. absorption:** 0.52 A
- Protection:** IP20 - CL F
- Net weight:** 4000 g (with power supply cord)
- Total weight (with packing box):** 5700 g
- Electric cable length:** 1.5 mt (with no plug)
- Minimum brightness for working operations:** LUX 200
- Vibrations at start up:** < 2.5 m/sec 2
- Temperature range:** 0 – 55 C
- Umidity range:** 10 – 95% without condensate



Central knife guidance



BLADES AVAILABLE:

- 12SDD**, 120 mm 8-edges, HSS steel
- 12CDD**, 120 mm circular, HSS steel

PETRONI SRL
Via A.Bucchi, 1/B
06012 Città di Castello (PG)
+39 075/852.07.87
www.petronisrl.it